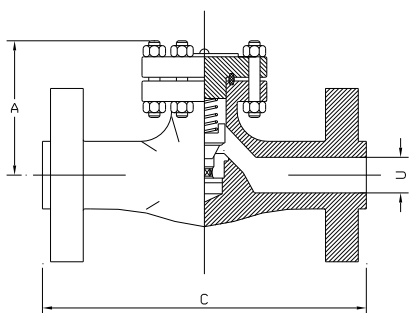


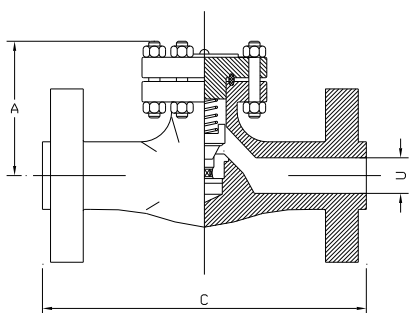
CLASS. 1500
 BOLTED OR WELDED BONNET
 MOD: 154RF/RJ - 155 RF/RJ - 156 RF/RJ



API 600 - FULL BORE

SIZE	A open	C	PORT	U	Kg.
1/2"	75	216	11	18	9.2
3/4"	90	229	14.5	22	11.1
1"	105	254	19	27	14.7
1.1/2"	140	305	31	43	36.5
2"	160	368	37.5	49	42.5

CLASS. 2500
 BOLTED OR WELDED BONNET
 MOD: 254RF/RJ - 255 RF/RJ - 256 RF/RJ



API 600 - FULL BORE

SIZE	A open	C	PORT	U	Kg.
1/2"	85	264	11	18	10.4
3/4"	95	273	14.5	22	12.6
1"	110	308	19	27	18.2
1.1/2"	165	384	31	43	43.5
2"	190	451	37.5	49	53