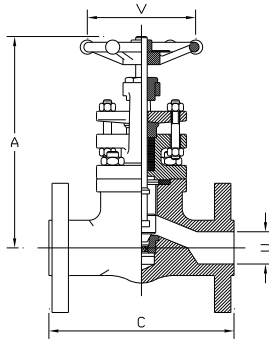


GLOBE VALVES - FLANGED ENDS

CLASS. 150
 BOLTED OR WELDED BONNET
 MOD: 83A R.B.
 MOD: 63A F.B.



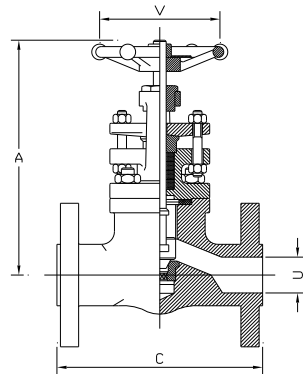
API 602 - REDUCE BORE

SIZE	A open	C	PORT	U	V	Kg.
1/2"	154	108	8.5	18	78	3.2
3/4"	180	118	12.5	22	78	3.8
1"	200	127	17	27	98	8.2
1.1/2"	280	165	24	43	140	11.7
2"	292	203	29	49	140	16.5

API 600 - FULL BORE

SIZE	A open	C	PORT	U	V	Kg.
1/2"	154	108	12	18	78	3.2
3/4"	200	118	17	22	98	3.8
1"	280	127	22	27	140	8.2
1.1/2"	292	165	32	43	140	11.7
2"	292	203	36	49	140	16.5

CLASS. 300
 BOLTED OR WELDED BONNET
 MOD: 83B R.B.
 MOD: 63B F.B.



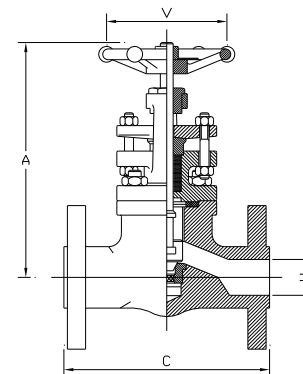
API 602 - REDUCE BORE

SIZE	A open	C	PORT	U	V	Kg.
1/2"	153	152	8.5	18	78	3.4
3/4"	180	178	12.5	22	78	4
1"	200	203	17	27	98	9.1
1.1/2"	280	229	24	43	140	12.6
2"	292	267	29	49	140	17.7

API 600 - FULL BORE

SIZE	A open	C	PORT	U	V	Kg.
1/2"	175	152	12	18	78	3.4
3/4"	195	178	17	22	98	4
1"	200	203	22	27	98	9.1
1.1/2"	280	229	32	43	140	12.6
2"	332	267	36	49	140	17.7

CLASS. 600
 BOLTED OR WELDED BONNET
 MOD: 83C R.B.
 MOD: 63C F.B.



API 602 - REDUCE BORE

SIZE	A open	C	PORT	U	V	Kg.
1/2"	154	165	8.5	18	78	3.8
3/4"	180	190	12.5	22	78	5.6
1"	200	216	17	27	98	8.4
1.1/2"	280	241	24	43	140	16.2
2"	292	292	29	49	140	20.6

API 600 - FULL BORE

SIZE	A open	C	PORT	U	V	Kg.
1/2"	175	165	12	18	78	3.4
3/4"	195	190	17	22	98	4
1"	200	216	22	27	98	9.1
1.1/2"	280	241	32	43	140	12.6
2"	332	292	36	49	140	17.7