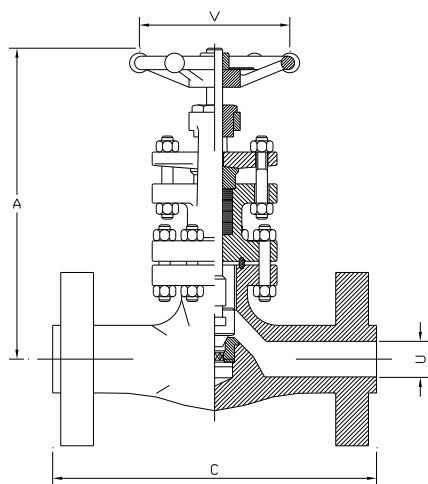


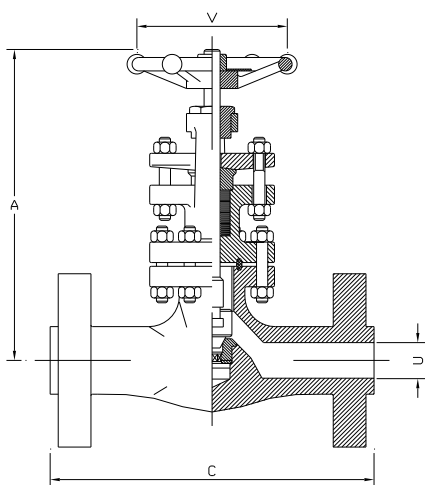
CLASS. 1500
 BOLTED OR WELDED BONNET
 MOD: 153RF - 153RJ



API 600 - FULL BORE

SIZE	A open	C	PORT	U	V	Kg.
1/2"	233	216	11	18	120	8
3/4"	262	228	14.5	22	120	11
1"	305	254	19	27	120	17
1.1/2"	337	305	31	43	180	28
2"	416	368	37.5	49	300	53

CLASS. 2500
 BOLTED OR WELDED BONNET
 MOD: 253RF - 253RJ



API 600 - FULL BORE

SIZE	A open	C	PORT	U	V	Kg.
1/2"	273	264	11	18	120	10
3/4"	315	273	14.5	22	140	12
1"	345	308	19	27	180	19
1.1/2"	425	384	31	43	300	35
2"	490	451	37.5	49	300	61